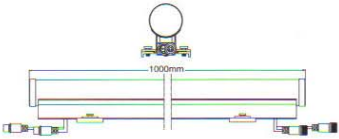
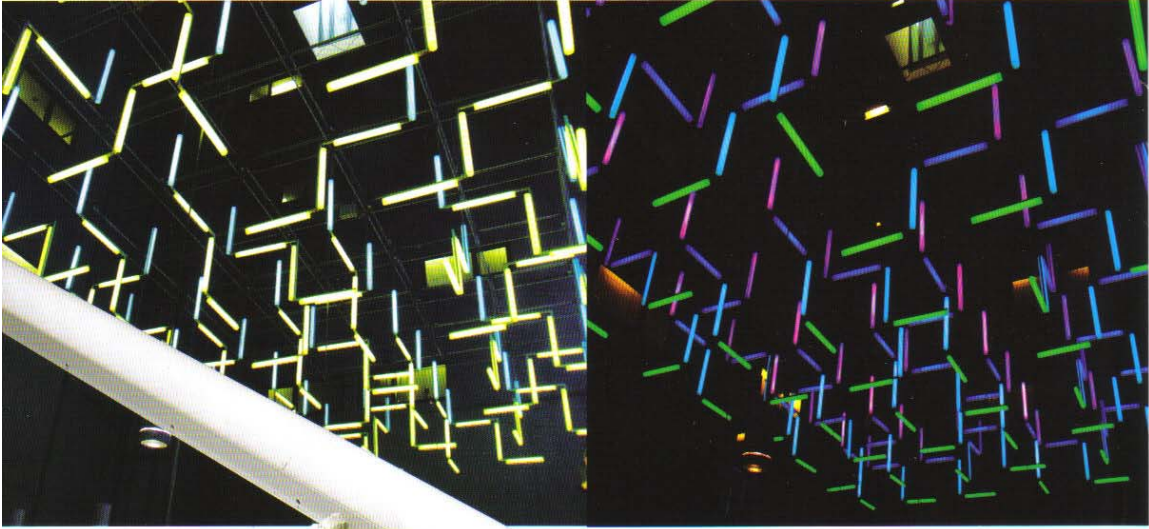


TWA LIGHTING COMPANY



Visit our web site at: www.twalighting.com
Contact Person: Wayne Allan
Phone: 250-372-8368
Cell: 250-574-8368
If you have any questions please feel free to E-mail
me: wayne@twalighting.com



This product may be certified by either one of these standards or all of the above.

Multicolor Changing LED Tube

LEDNEON Tube Series - MultiColor Changing type uses Red, Green and Blue LEDs to produce a vast array of colors integrated with micro-electronic technology and digital technology. Not only limited to its feature in color changing along each tube, it can also have some of the other lighting effects such as: color chasing, color fading, gray scale change, flash with adjustable speed. It is suitable for bar, disco, building application and etc.

High voltage version includes a built-in transformer allowing easy installation without need of additional component to supply power to each tube, which further expands its applications both indoors and outdoors.

TWA LIGHTING COMPANY



Multicolor Changing LED Tube Series



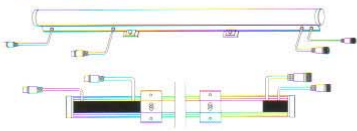
This product may be certified by either one of these standards or all of the above.

There are three different types of methods for connection:

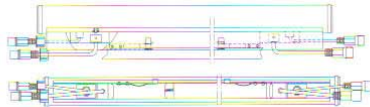
1. Lead wires are set on the bottom of the channel
LN-MC-DIA50-120V/240V-A



2. Lead wires are on one side of the channel.
LN-MC-DIA50-120V/240V-B



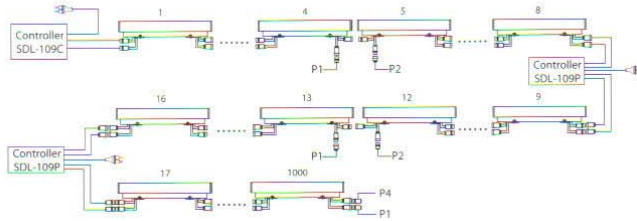
3. Lead wires are set on the bottom of the channel with the channel inserted in a installing channel.
LN-MC-DIA50-120V/240V-C



Visit our web site at: www.twalighting.com
 Contact Person: Wayne Allan
 Phone: 250-372-8368
 Cell: 250-574-8368
 If you have any questions please feel free to E-mail me: wayne@twalighting.com

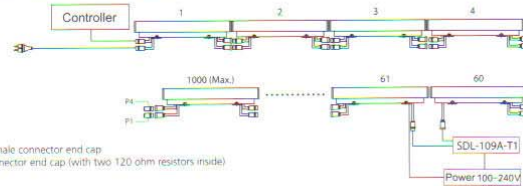
Connection:

connection 1 (12V):



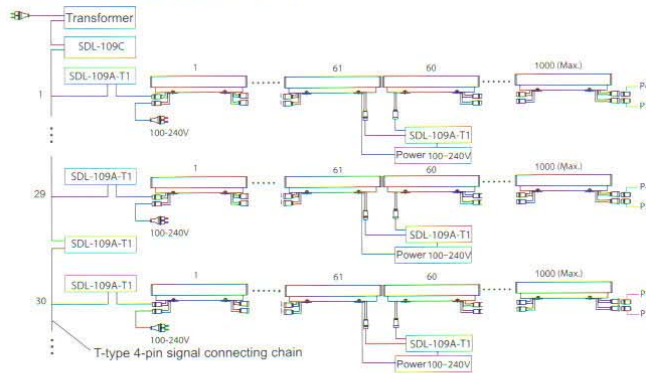
- P1: 2-pin power connector end cap
- P2: 2-pin power male connector end cap
- P4: 4-pin signal connector end cap (with two 120 ohm resistors inside)

connection 2 (120V/240V):



- P1: 2-pin power female connector end cap
- P4: 4-pin signal connector end cap (with two 120 ohm resistors inside)

connection 3 (120V/240V):



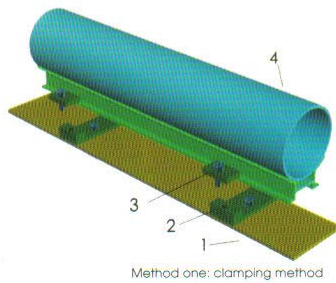
- P3: 2-pin power female connector end cap
- P4: 4-pin signal connector end cap (with two 120 ohm resistors inside)

TWA LIGHTING COMPANY

LED Border Light Series

LED TUBE Series

There are two methods to install the fixture accordingly, please refer to the diagram to install the LEDNEON Tube.

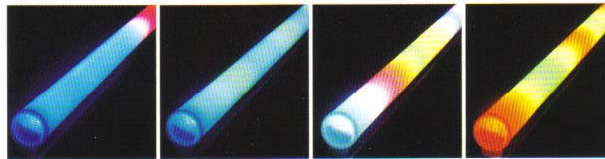


Principle:

LEDNEON tube uses LEDs as the light source configured in a linear array, each at a certain beam angle, inside the PC circular tubing. Light emitted reflects and refracts to give a color-mixed light, and is diffused by the milky white tube to present as a uniform light. Connected to and controlled through an external pre-programmed controller, the LEDNEON tube scrolls through different functions and is able to perform various lighting effects.

Functions:

- Static colors: red, green, yellow, blue, purple, cyan, white.
- Color change:
 - Scrolls through all the static colors
 - Slow flow 1 (single directional flow)
 - Slow flow 2 (bi-directional flow)
 - Roll chase 1 (rolling backward and forward)
 - Roll chase 2 (scan backward and forward)
 - Multi color
 - Fast flow 1
 - Fast flow 2
 - 2 color chase
 - 2 color flow
 - Gray scale color change



Technical Specifications:

Item No.:	LN-MC-DIA50-12V	LN-MC-DIA50-120V LN-MC-DIA50-240V
No. of LEDs:	144PCS (R48, G48, B48)	
Luminance:	64LM	
Operating Temperature:	-20°C ~ +45°C	
Operating Humidity:	0~95%	
IP Rating:	IP64	

Controlling Mode:

Controller:	SDL-109C1 5.1A version	SDL-109C1 5.1A version / SDL-109C1 together with DMX512
Input Connection:	4-pin male connector	
Output Connection:	4-pin female connector	

Specifications:

Input:	DC12V	AC100-240V
Operating Voltage:	DC12V	
Current:	1.4A	
Power Consumption:	Max. 16.8W	

Structure:

Material of Light Tube:	Milky white polycarbonate (anti-UV)	
Channel:	Aluminum alloy (with surface oxidized)	
Net Weight:	1.0kg	1.5kg
Size:	L1000 x W50 x H75mm	L1000 x W50 x H95mm

Visit our web site at: www.rwalighting.com
 Contact Person: Wayne Allan
 Phone: 250-372-8368
 Cell: 250-574-8368
 If you have any questions please feel free to E-mail me: wayne@rwalighting.com



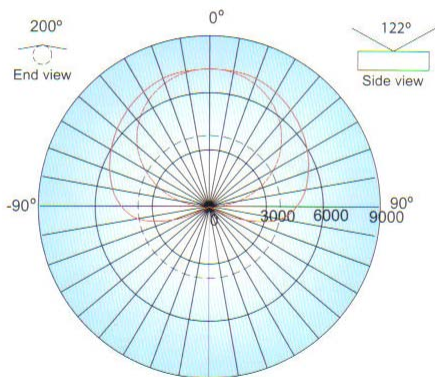
This product may be certified by either one of these standards or all of the above.

TWA LIGHTING COMPANY

LED Border Light Series

LN-MC-DIA50-120V

Candle Power Distribution:



End View and Side view (dashed line) (Candelas)

Measured on: White
 Beam Center: 7400mcd
 Thin dashed lined: Indicates 50% of peak value
 Multipliers: 0.07R, 0.57G, 0.36B

Due to the limitation of set type, there will be only one product source specification (LN-MC-DIA50-120V) to be listed. If customers would like to get more detailed specifications of the products, please contact us.

Light Output:

Color	White	Red	Green	Blue
Total Output (lumens)	63.9	10.5	42.3	14.6
Power (Watts)	1.2	2.4	4.8	4.8
Efficacy (lm/W)	5.3	4.4	8.8	3.0



Visit our web site at: www.twalighting.com
 Contact Person: Wayne Allan
 Phone: 250-372-8368
 Cell: 250-574-8368
 If you have any questions please feel free to E-mail me: wayne@twalighting.com



This product may be certified by either one of these standards or all of the above.

LED TUBE Series